



# Zero Paint Options & Specifications

Date: .....

Kit Number: .....

Customer Name:

.....

Paint / RAL Colour:

.....

.....

Stripes: Yes / No

No of Stripes: .....

Colour of stripes: .....

.....

Paint Tunnel Tops:

Colour: .....

Painted Dash: Yes / No

Colour: .....

Painted Lower Dash: Yes / No

Colour: .....

Painted Headlight Bowls: Yes / No

Colour: .....

Painted Headlight Surrounds: Yes / No

Colour: .....

Diffuser: Yes / No

Colour: .....

Grill: Yes / No

Colour: .....

### Notes:

.....

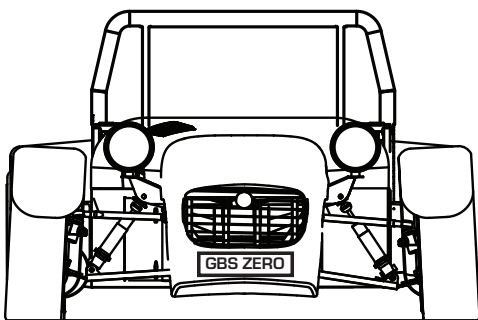
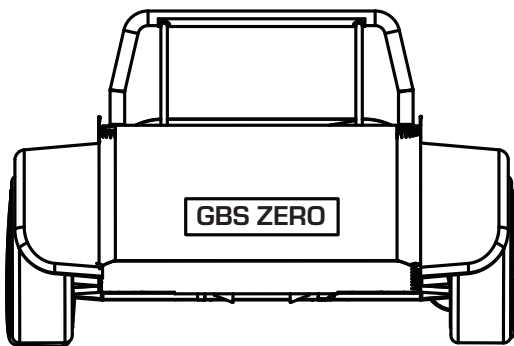
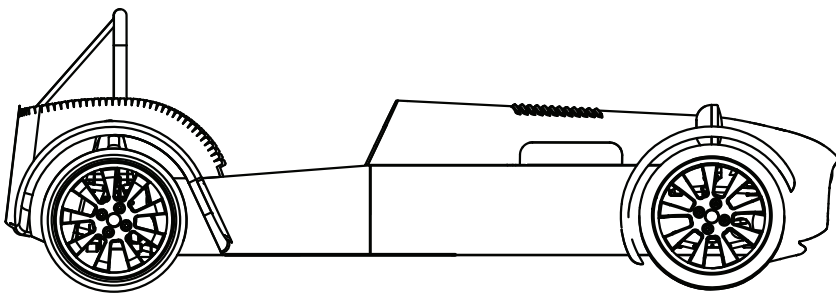
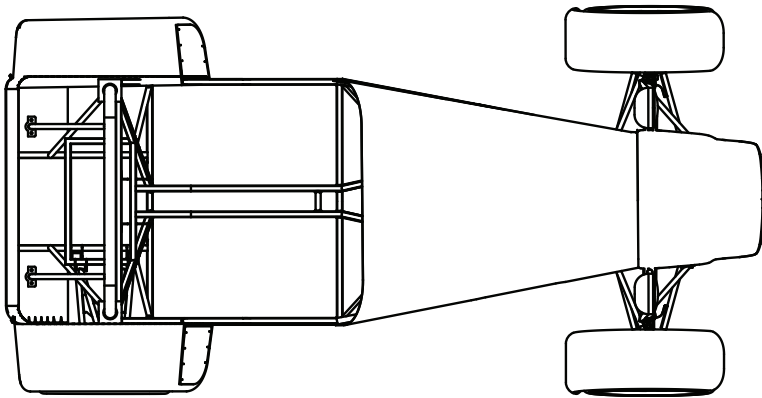
.....

.....

.....

[www.greatbritishsportscars.co.uk](http://www.greatbritishsportscars.co.uk)

\*Please note: Car must not be sent to paint without PO



Customer Sign: ..... Date: .....

Specification taken by: ..... Date: .....

Paint PO Number:..... Estimated Date of Paint: .....

Copy in customers folder.

Copy for painters / on Chassis.