

Paint Options & Prices

Great British Sports Cars







PAINT PRICES & OPTIONS

Here you can make your Zero even more stylish with a full range of custom paint options which can be truly individual to you.

Paint is fast becoming a popular option and is a service that we offer. We are able to colour match and design your cars paint effect with you from start to finish. The paint option is available on both Zero Self Builds and Factory Builds.

Prices + VAT	Prices Inc VAT	<u>PART No</u>	<u>PAINT OPTIONS-</u>
£1,660	£1,992	KOE0158	- Full Shell painted (Including under dashboard & Tunnel)
£220	£264	KOE0162	- 3 Stage Pearl
£280	£336	KOE0152	- Single Full Length painted Stripe (Any Colour)
£140	£168	KOE0151	- Extra Stripe (each)
POA	POA		Custom Stripes.
£70	£84	KOE0156	- Headlights single colour (each)
£30	£36	KOE0161	- Separate coloured Surround (each)
£75	£90	KOE0155	- Dash (Any colour)
£160	£192	KOE0157	- Diffuser (Any colour)
POA	POA		Wheels (Powder coated any colour / each)
POA	POA		Custom paint design

Please note the price for the options are based on when cars full shell is painted. If you are wanting them done at a later date the price will be different.

PREPARE & PANEL FOR PAINT



Our workshop team can prepare and panel your Zero for you, so its ready for paint or this can be by yourself if you prefer.

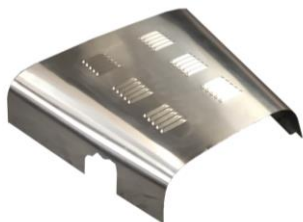


Factory prepared and paneled ready for paint.
Labour 4 days @ 8 hrs / £50 per hour = £1,600.00 Inc VAT
*Preparation and paneling is included in some Zero Self Build options.

Other Options:

- Labour to Install Brake Lines - £84.00
- Labour to Install Plastic Fuel Lines - £24.00
- Labour to Install Chassis Engine Harness - £84.00

All prices include VAT.



The paint process.....

Paint can take around 2 to 3 weeks, depending on the design and paint colour. Once your car is with us and the design is confirmed we will be able to give you a more accurate time scale of how long it will be.



We do not colour match to the GRP, as we paint GRP to ensure colour consistency. We are happy to paint your GBS Zero in any major car manufactures colour so long as you are able to provide a paint code to ensure we get the correct colour. Colour samples / swatches are available upon request, please speak to one of our team for more details.

Please note: More work and additional costs may occur if we are required to prepare your Zero for paint if the panels are not prepared correctly.

BEFORE & AFTER....

We can do a full paint transformation of your current Zero....
As seen here from orange to grey with a nice touch of carbon fibre
bodywork added in. See more details on our website.



Example of a 2011 GBS Zero Transformation from orange to grey, March 2021.



Example of a 2011 GBS Zero Transformation from orange to grey. March 2021.



Example of a 2011 GBS Zero Transformation from orange to grey
March 2021.

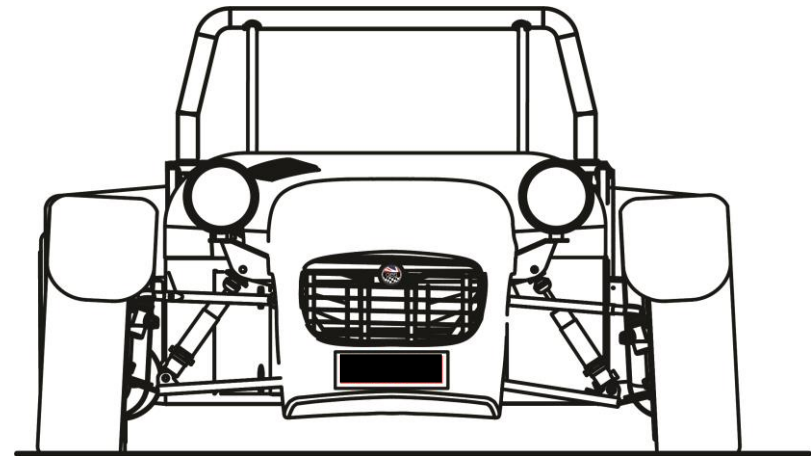
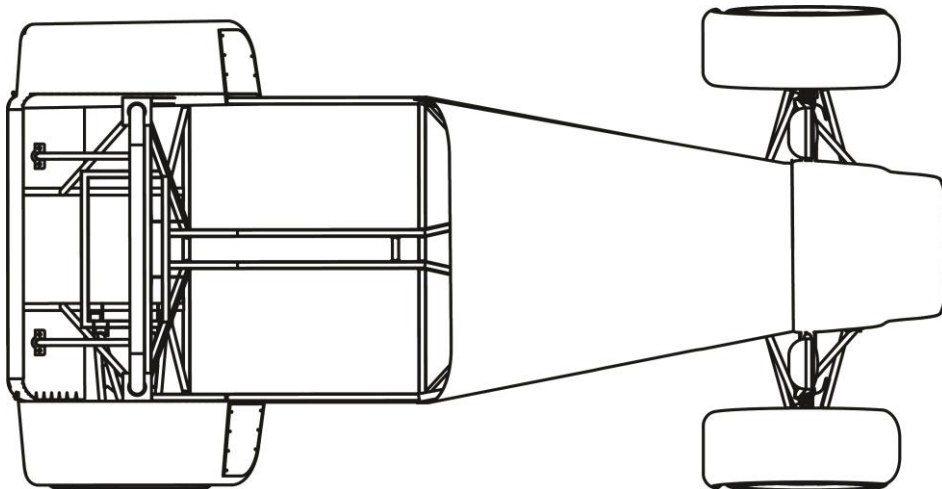
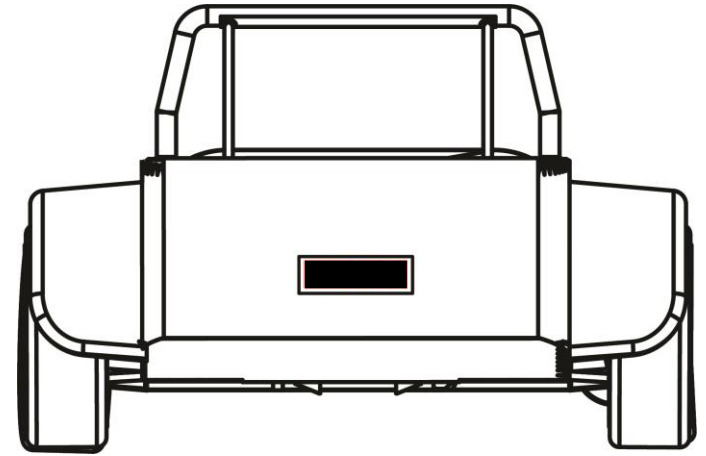
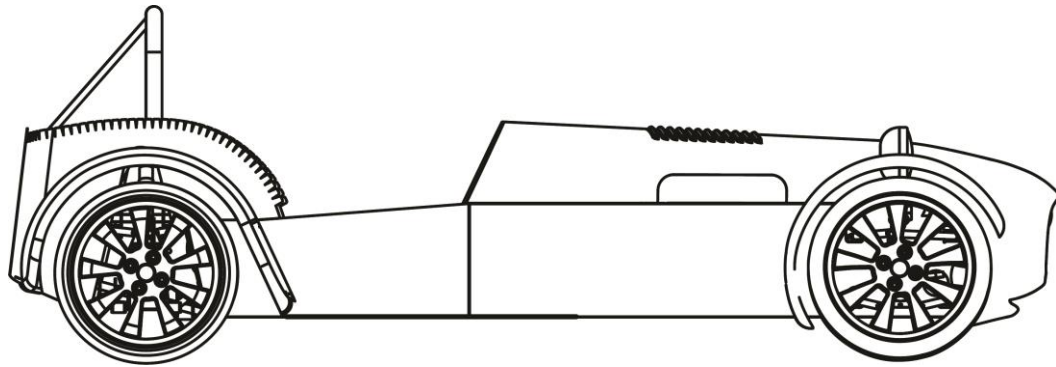


Custom paint options which can be truly individual to you.....



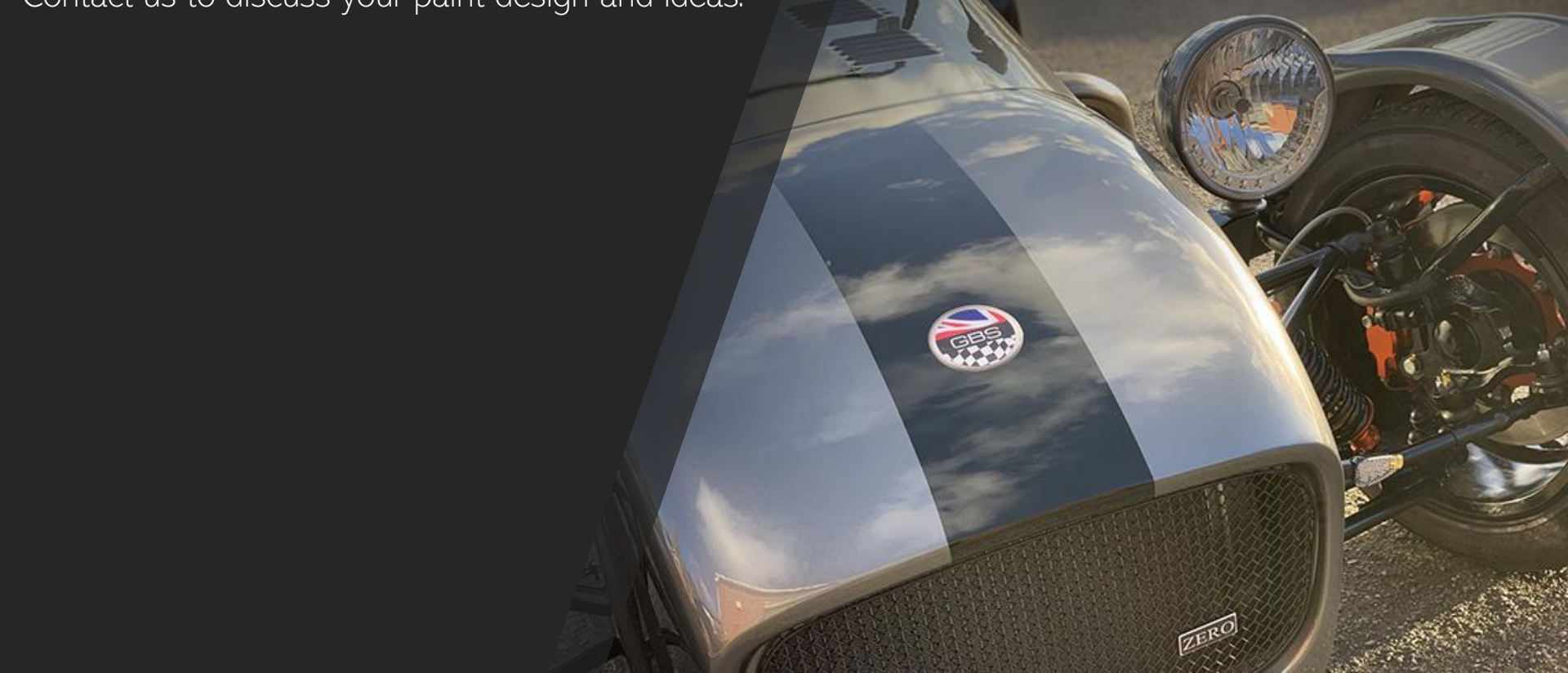


Personalise your Zero.....





Contact us to discuss your paint design and ideas.



Personalise your Zero....

Great British Sports Cars Ltd

Maun Way
Boughton
Ollerton
Nottingham
NG22 9ZD
UK

Tel (UK): 01623 860990

General Enquires: info@greatbritishsportscars.co.uk

International:

Tel: +44 (0) 1623 860990

www.greatbritishsportscars.co.uk

BRITISH ENGINEERING EVOLVING

